



SR-LV14G

14/28/42/56 kWh



Long lifespan with 6000+ cycles



IP66 protection rating,
safer for outdoor use



Stacked design, compact size



Passed salt spray test, suitable
for harsh outdoor environments



Module-level MCB



Aerosol: A Safer Fire
Suppression Solution.

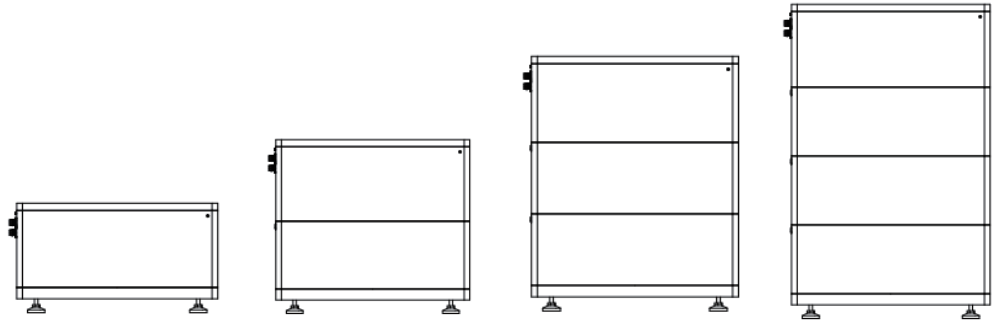


Optional battery heating function in cold weather

SPEC for SR-LV14G

Model	SR-LV14G-L1	SR-L14G-L2	SR-L14G-L3	SR-L14G-L4
-------	-------------	------------	------------	------------

Appearance



Battery Module	LV14G-M*1	LV14G-M*1 LV14G-S*1	LV14G-M*1 LV14G-S*2	LV14G-M*1 LV14G-S*3
----------------	-----------	------------------------	------------------------	------------------------

Battery Characteristics

Capacity	290Ah	580Ah	870Ah	1160Ah
Rated Energy	13.92kWh	27.84kWh	41.76kWh	55.68kWh
Usable Energy	13.92kWh	27.84kWh	41.76kWh	55.68kWh
Rated Voltage	48V	48V	48V	48V
Rated DC Power	4.8kW	9.6kW	14.4kW	14.4kW
Operation Voltage	42V~54V			
Standard Charge Voltage	54V	54V	54V	54V
Standard Charge/Discharge Current	100A/100A	200A/200A	300A/300A	300A/300A
Max. Charge/Discharge Current	100A/100A	200A/200A	300A/300A	300A/300A
Peak Discharge Current[A]	120A@30sec	240A@30sec	360A@30sec	360A@30sec
Max. Charge/Discharge Power	5.4kW	10.8kW	16.2kW	16.2kW
Depth Of Discharge	100%			
Communication method	CAN			
Max.number of parallel operations	4			
Recommend charging method declared by the manufacturer	Charge the battery at standard charge current until voltage reaches 54V, then charge at constant voltage 54V till charge current is 10A.			

Operation Condition

Operation Temperature	Charging: 0~50°C, Discharging: -20~50°C
Storage Temperature	-10~50°C
Cooling Mode	Natural Convention
Altitude	≤ 3000m

General

Weight	120±5kg	230±10kg	340±15kg	450±20kg
Dimensions(mm)	850*440*360	850*440*590	850*440*820	850*440*1050
Installation Method	Stack			
Corrosion protection	C4			
Protection level	IP66			
Certification	UN38.3/ SDS/ CB62619 /IEC 62040/ IEC62477/ IEC61000/ IEC60730/ IEC60068-2-52			

Manufacture

Country of Manufacture	China
------------------------	-------